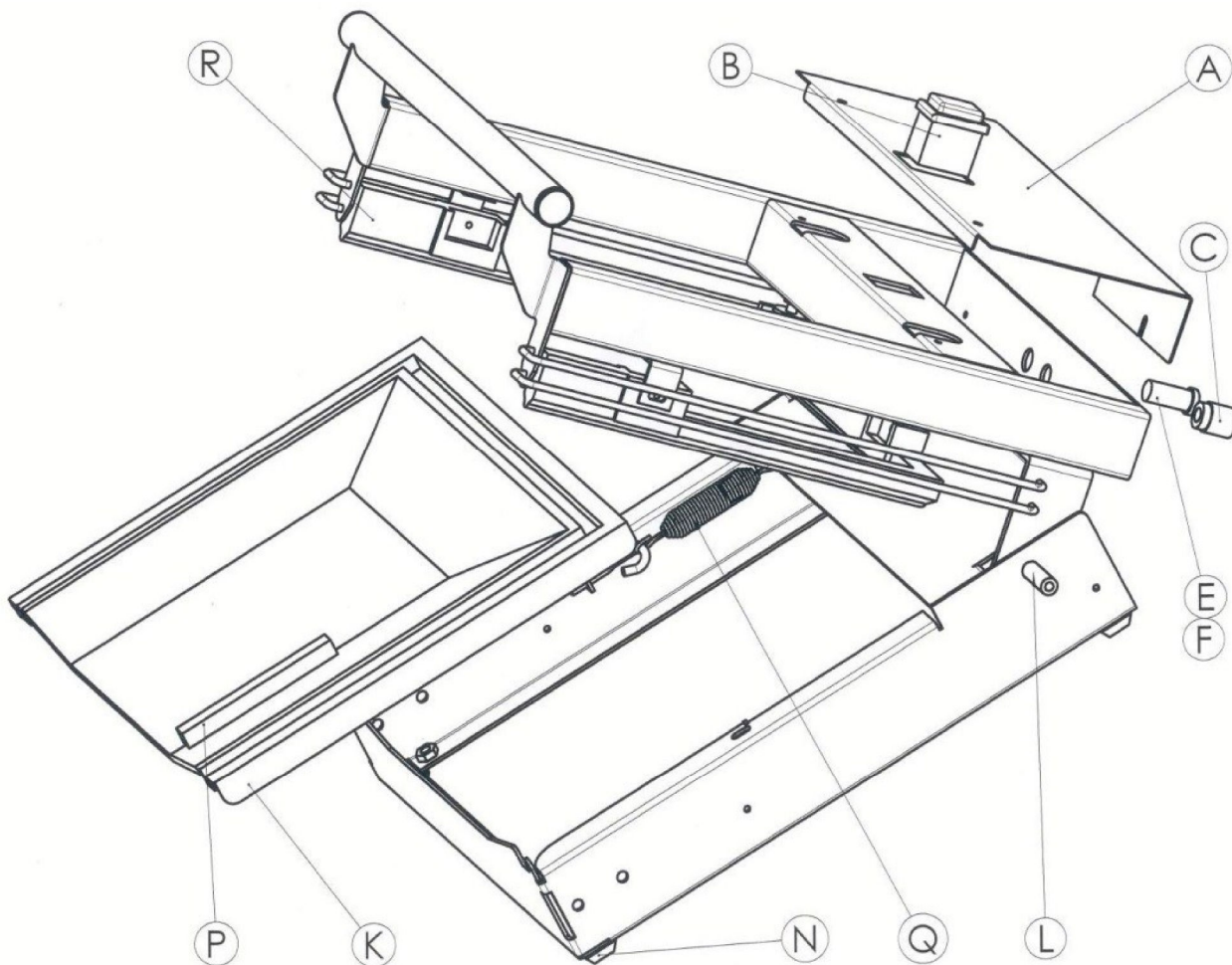


Spare parts list



REP	Code	Désignation	Qté
A	TO-1229	Electrical cover	1
B	EL-1512	2-way switch 22 x 30	1
C	EL-1772	Power cord, moulded plug – lg 2.5 m – 3 x 0.75	1
E	EL-1404	Temporized fuse 5 x 20, 2 amp (x 10)	1
F	EL-1403	Fuse holder 5 x 20	1
K	TO-1272	Stainless steel plate	1
L	MG-0019	Pivot bolt	1
N	FI-1306	Adhesive leg	4
P	FI-1862	Silicon profile	1m
Q	FI-0136	Tension spring	1
R	EL-1861	Moulded resistance	1